

INSTALLATION INSTRUCTIONS

DESCRIPTION: RMAX4 Rear Overfenders Kit

PART NUMBER: B4J-F15G0-V0

MODEL:2021+ Wolverine RMAX4



⚠ WARNING

Please read and understand these instructions completely before installation to avoid possible injury, or damage to the accessory or vehicle.

NOTICE:

Installation of this kit requires a torque wrench and should be performed by an authorized Yamaha dealer or a qualified mechanic.

WARRANTY INFORMATION:

In the United States, contact your dealer of purchase for information, fitment advice and a copy of the Yamaha Genuine Parts and Accessories Limited Warranty for this accessory.

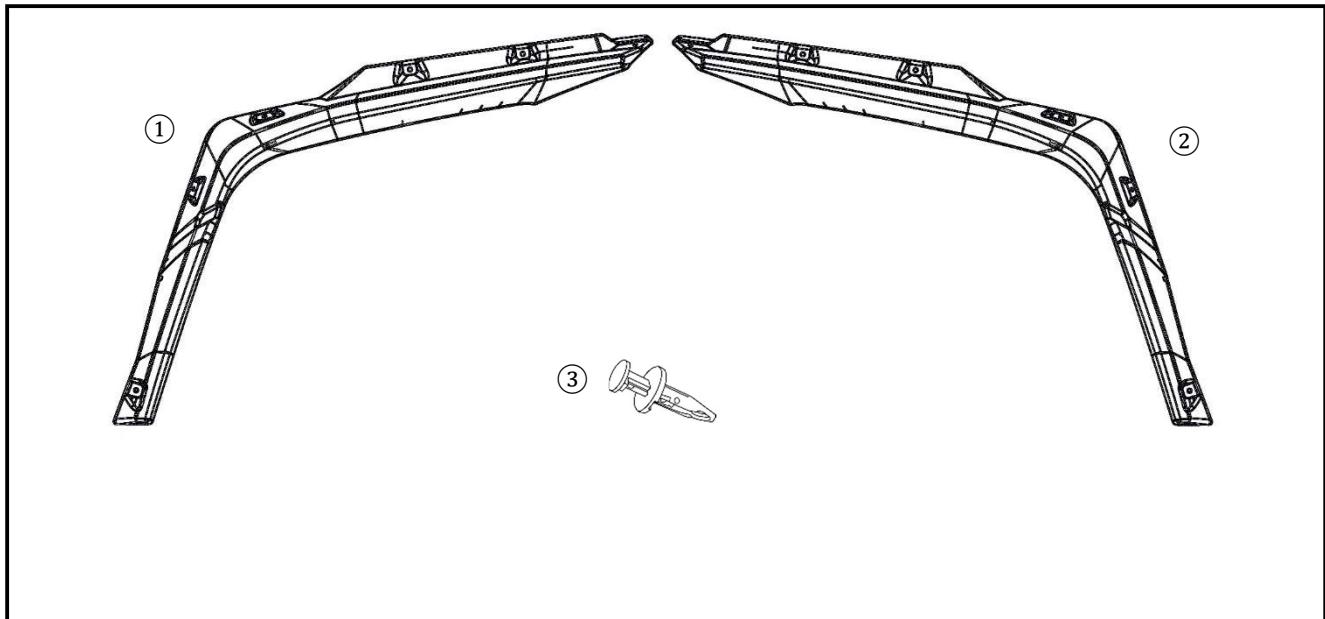
DEALER OR INSTALLER:

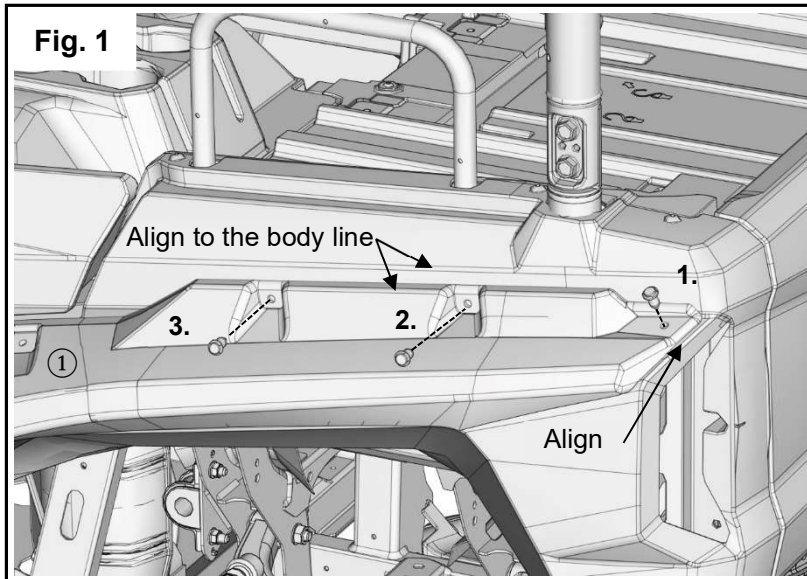
These instructions contain important information for future reference and *must* be given to the customer.

PARTS LIST:

No.	Part Number	Description	Qty
--	B4J-F15G0-V0	RMAX4 Rear Overfender Kit	--
①	*	Left Rear Overfender	1
②	*	Right Rear Overfender	1
③	90269-08813	8mm Rivet	14

* Part supplied with kit only and not available separately.





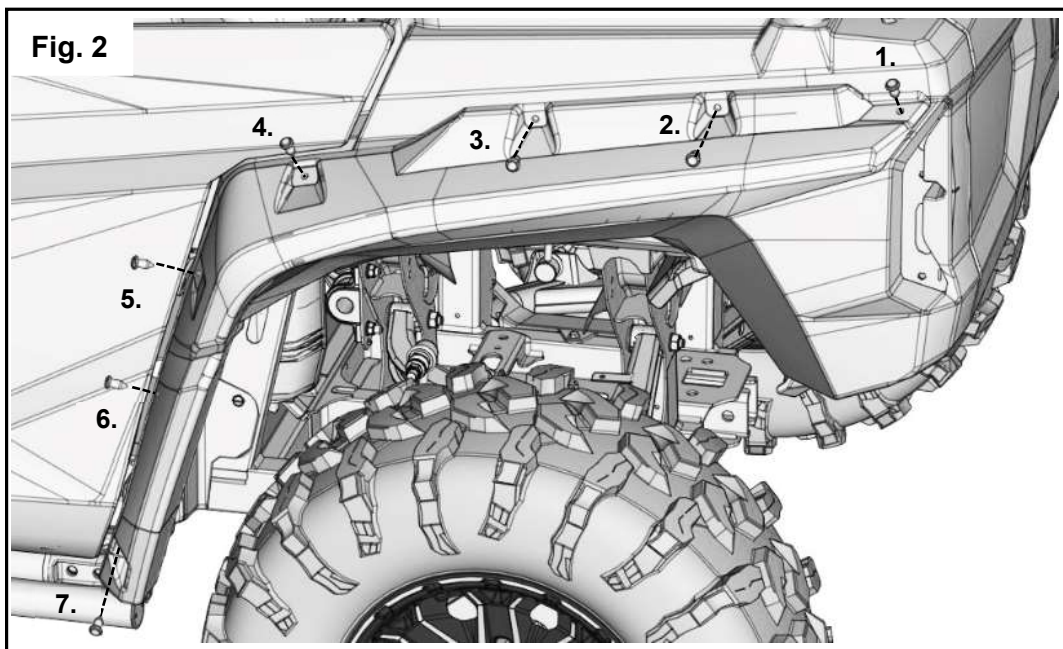
PREPARATION:

- Place the vehicle on a secure and level surface.
- Set the parking brake.
- Clean the mounting surfaces before beginning installation.

INSTALLATION:

1. Place the ① Left Overfender on the rear section of the vehicle. Align the overfender edges to the top edge above the taillight and keep the top edge parallel to the body line. (Fig. 1)
2. Drill a 5/16 hole in each numbered location and insert one ③ 8mm Rivet. (Fig. 2)
3. Install the ② Right Overfender by following the same process on the other side of the vehicle.

Note: There will be a small gap at the bottom to allow clearance for the Rock Slider Kit.



MAINTENANCE:

Periodically, check torque on all hardware. If loose hardware is found, re-torque to specification.

CARE AND CLEANING:

Clean painted metal parts with a clean soft cloth and mild soap and water solution. Rinse and dry.

CUSTOMER SERVICE:

For further information see your Yamaha dealer.

ESTIMATED TIME TO INSTALL: 0.5 HRS.